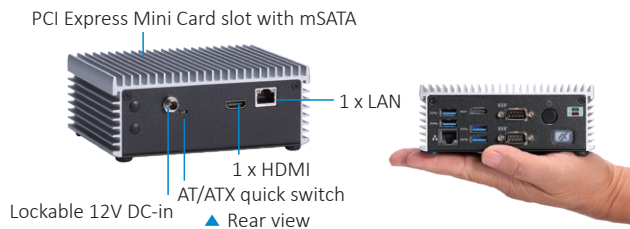
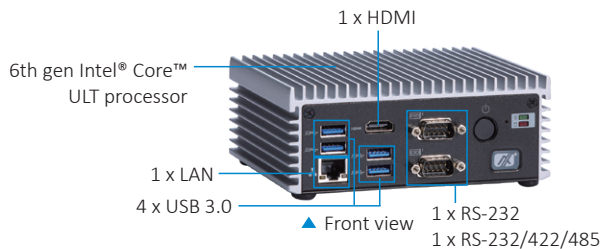


eBOX560-500-FL

Fanless Embedded System with Intel® Core™ i7-6600U/i5-6300U/i3-6100U & Celeron® 3955U, 2 HDMI, 2 GbE LAN, 4 USB 3.0, 2 COM and PCI Express Mini Card Slot



Features

- Intel® Core™ i7-6600U 3.4 GHz/i5-6300U 3 GHz/i3-6100U 2.3 GHz & Celeron® 3955U 2.0 GHz (Skylake ULT SoC)
- 260-pin DDR4 SO-DIMM for up to 16GB of memory
- 12 VDC power input
- Supports 2 HDMI, 2 GbE LAN, 2 COM and 4 USB 3.0
- Supports Jumbo Frame (9.5K), WoL, PXE and Teaming
- Ultra-compact enclosure design



Specifications

Standard Color	Silver-black
Construction	Aluminum extrusion and heavy-duty steel, IP40
CPU	Intel® Core™ i7-6600U 3.4 GHz/i5-6300U 3 GHz/i3-6100U 2.3 GHz & Celeron® 3955U 2.0 GHz (Skylake ULT SoC)
System Memory	1 x 260-pin DDR4-2133 SO-DIMM, up to 16GB
Chipset	SoC integrated
BIOS	AMI
System I/O Outlet	1 x RS-232/422/485 1 x RS-232 2 x HDMI 2 x 10/100/1000 Mbps Ethernet (Intel® i210-AT, i219-LM) 4 x USB 3.0 2 x Antenna opening 1 x AT/ATX quick switch 1 x ATX power switch 1 x Reset switch connector 1 x Screw type VDC power input connector
Watchdog Timer	255 levels, 1 to 255 sec.
Storage	1 x 2.5" SATA HDD drive bay (max. up 9.5 mm height) 1 x mSATA (enabled in BIOS setting)
Expansion Interface	1 x Full-size PCI Express Mini Card slot (USB + PCIe signal)
TPM	N/A
System Indicator	1 x Green LED for system power-on 1 x Orange LED for HDD active
Power Input	12 VDC

Specifications

Operating Temperature	-10°C to +55°C (-14°F to +131°F) (with W.T. DRAM/SSD)
Humidity	10% - 95%, non-condensing
Vibration Endurance	3 Grms with SSD™ (5 to 500 Hz, X, Y, Z directions)
Dimensions	141.5 mm (5.57") (W) x 106 mm (4.17") (D) x 55 mm (2.17") (H)
Weight (net/gross)	0.8 kg (1.76 lb)/1.67 kg (3.68 lb)
Certifications	CE, UKCA
EOS Support	Win 10, WE8S, Linux

* W.T.: Wide Temperature. All W.T. supported products have to be sorted by Axiomtek.

Packing List

1 x Screw pack
4 x Pre-installed foot pad

Power Protection

AC Version

OVP (over voltage protection)
OCP (over current protection)
SCP (short circuit protection)
Reverse protection

Ordering Information

Standard

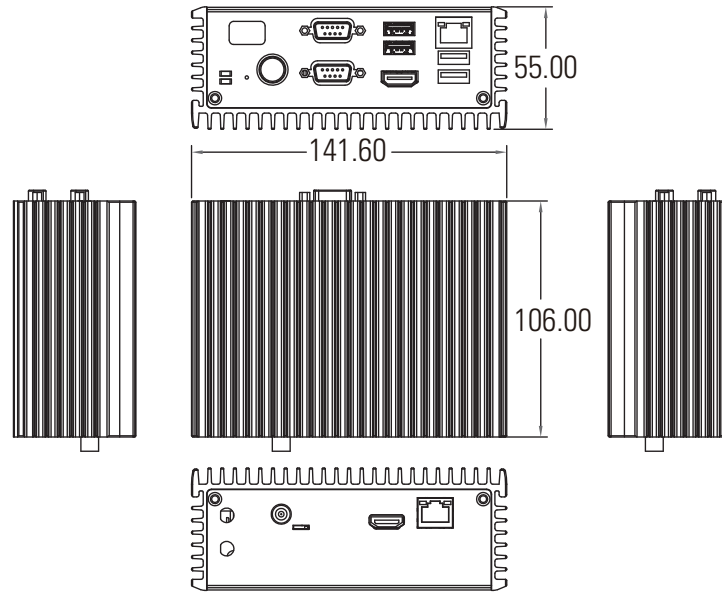
eBOX565-500-FL-DC-6300U (P/N: E36K565100)	Fanless embedded system with Intel® Core™ i5-6300U, 2 HDMI, 2 GbE LAN, 4 USB 3.0, 2 COM, PCI Express Mini Card slot and 9 to 36 VDC
eBOX565-500-FL-DC-6100U (P/N: E36K565102)	Fanless embedded system with Intel® Core™ i3-6100U, 2 HDMI, 2 GbE LAN, 4 USB 3.0, 2 COM, PCI Express Mini Card slot and 9 to 36 VDC
eBOX565-500-FL-DC-3955U (P/N: E36K565101)	Fanless embedded system with Intel® Celeron® 3955U, 2 HDMI, 2 GbE LAN, 4 USB 3.0, 2 COM, PCI Express Mini Card slot and 9 to 36 VDC

Optional

2.5" SATA HDD	64GB or above
2.5" SATA SSD	100GB or above
DDR4 SO-DIMM	8GB to 16GB
8816K560IA0E	Wall mount kit
8816K560AA0E	VESA arm kit
8816K560BA0E	DIN-rail kit
50966124050E	12V 60W power adapter Power cord Wi-Fi module

* Specifications and certifications may vary based on different requirements.

Dimensions





Delmation
products



Delmation Products

Blauw-roodlaan 300
2718 SK Zoetermeer
079 - 342 20 41

www.delmation.nl | info@delmation.nl