



SURFACE MOUNTING KIT

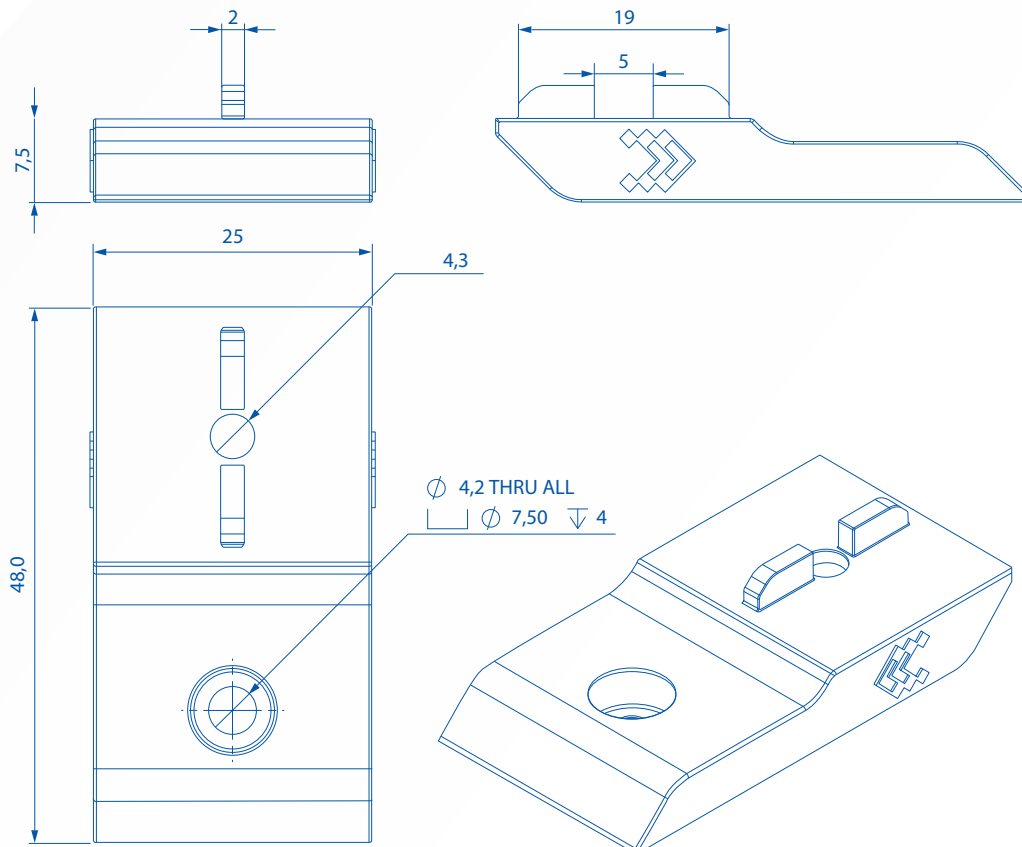
PRODUCT DETAILS

PARAMETER

Mounting type
Material
Weight
Screws included
Dimensions
RoHS Compliant

RATED VALUE

Flat surface mount
ABS + PC plastic
2x5 g
Philips Pan Head screw #6-32×3/16, 2pcs
25 mm x 48 mm x 7.5 mm





Delmation
products



Delmation Products

Blauw-roodlaan 300
2718 SK Zoetermeer
079 - 342 20 41

www.delmation.nl | info@delmation.nl