

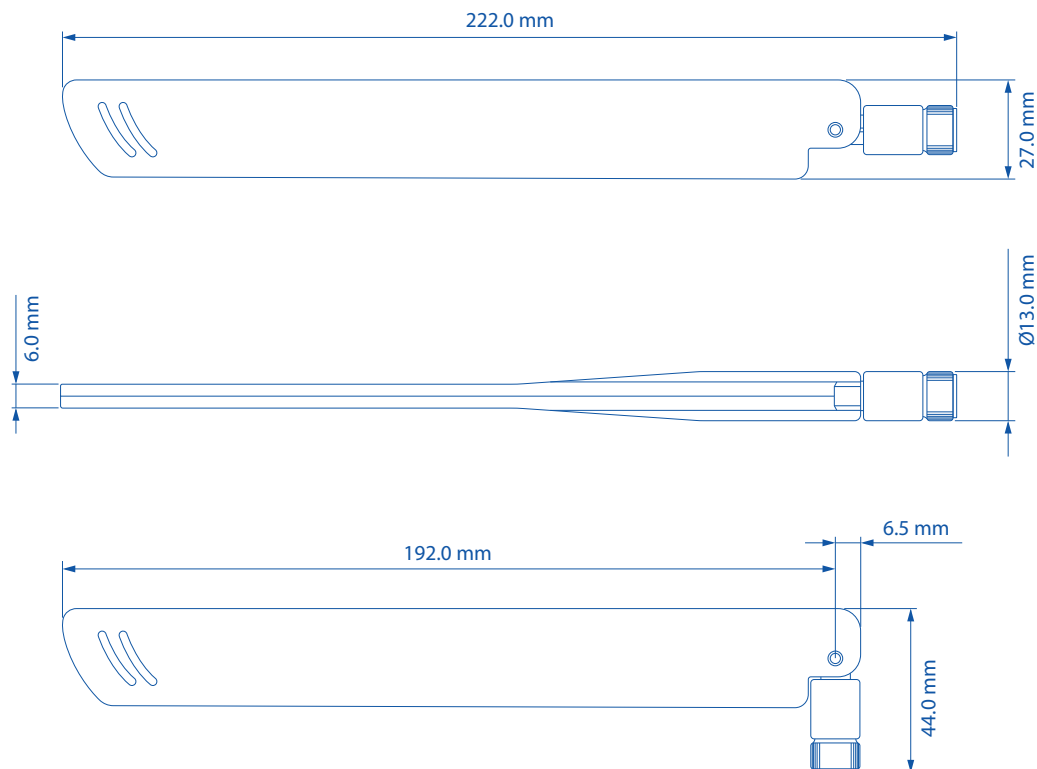
# MOBILE SMA ANTENNA WITH 450 MHZ



**PARAMETER**

**RATED VALUE**

Frequency Range	450 ~ 466, 716 ~ 960, 1710 ~ 2180 MHz
Polarization	Linear
Gain	4.0 dBi
V.S.W.R	≤3.5
Impedance	50 Ω
Connector type	SMA Male
Operating Temperature	-20 °C ~ +65 °C
IP rating	IP20
Weight	45 g
RoHS compliant	✓
REACH compliant	✓





**Delmation**  
products



## Delmation Products

Blauw-roodlaan 300  
2718 SK Zoetermeer  
079 - 342 20 41

[www.delmation.nl](http://www.delmation.nl) | [info@delmation.nl](mailto:info@delmation.nl)