

BB-485SD9R

BB-485SD9TB

RS-485 Converter, Port Powered



BB-485SD9R

Features

- Extend RS-232 data signals up to 1.2 km
- Convert RS-232 TD and RD to RS-485 signals
- Automatic Send Data Control - no software drivers necessary
- Baud rates up to 115.2 kbps
- Powered from RS-232 handshake lines - no power supply required

Specifications

Serial Technology

- **Data Rate** 115.2 kbps, maximum
- **RS-232** Connector BB-485SD9R: DB9 female
BB-485SD9TB: DB9 female
- **RS-485** BB-485SD9R: DB9 female
BB-485SD9TB: Terminal board
- **Biassing Resistors** 4.7k Ohms

Power

- **Source** Port-powering: from RS-232 handshake lines.
External power option, 12-16 V_{DC} (BB-485SD9TB only)
- **Power Connector** Terminal block (BB-485SD9TB only)
- **Input Voltage** 12 V_{DC} (BB-485SD9TB only)
- **Power Consumption** 40mA, maximum

Mechanical

- **Dimensions** BB-485SD9R: 60.0 x 32.0 x 16.0 mm
BB-485SD9TB: 87.0 x 32.0 x 16.0 mm
- **Enclosure** Plastic
- **Weight** 81.6 gm

Meantime Between Failures (MTBF)

- **MTBF** BB-485SD9R: 986473 hours
BB-485SD9TB: 968410 hours
- **MTBF Calc. Method** MIL 217F Parts Count Reliability Prediction

Wiring Information

- Refer to Quick Start Guide for wiring information, including terminal and pin identification. Available on website.

Environmental

- **Operating Temperature** 0 to +70 °C
- **Storage Temperature** -40 to +85 °C
- **Operating Humidity** 0 to 95%, non-condensing

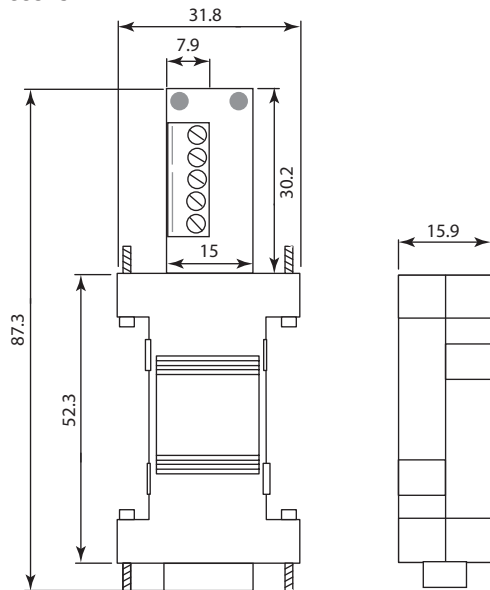
Regulatory

- **FCC Part 15, CISPR, CE**
- **CE - Directives** 2014/30/EU - Electromagnetic Compatibility
2011/65/EU amended by 2015/863/EU – Reduction of Hazardous Substances Directive (RoHS)
2012/19/EU - Waste Electrical and Electronic Equipment (WEEE)
- **CE - Standards** EN 55032 Class B - Electromagnetic Compatibility of Multimedia Equipment - Emission Requirements
EN 55024 - Information Technology Equipment - Immunity Characteristics - Limits and Methods of Measurement
EN 61000-6-3 + A1 - Generic Emission Standard for Residential, Commercial and Light-industrial Environments (Class B)
EN 61000-6-1 - Generic Immunity Standard for Residential, Commercial and Light-industrial Environments

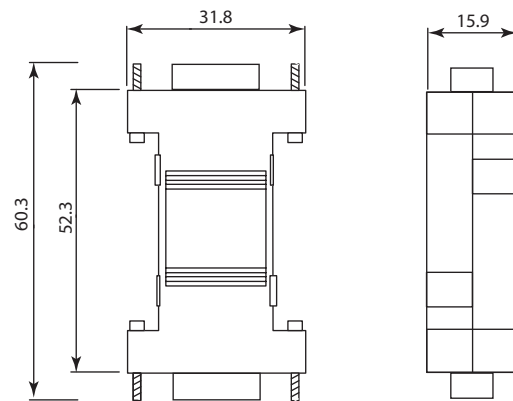
Dimensions

Unit: mm

BB-485SD9TB



BB-485SD9R



Ordering Information

Model Number	RS-232 Connector	RS-485 Connector	Output	Optional Power Supply
BB-485SD9R	DB9 Female	DB9 Female	RS-485 2-wire	-
BB-485SD9TB	DB9 Female	Terminal Block	RS-485 2-wire	✓

Accessories – Sold Separately

- **BB-SMi6-12-V-ST** Power Supply, 12 V_{DC} 6 Watt, Stripped and Tinned, International AC Input, International AC Blades
- **BB-9PAMF6** DB9 Male to DB9 Female Adapter Cable, 1.8 m



Delmation
products



Delmation Products

Blauw-roodlaan 300
2718 SK Zoetermeer
079 - 342 20 41

www.delmation.nl | info@delmation.nl