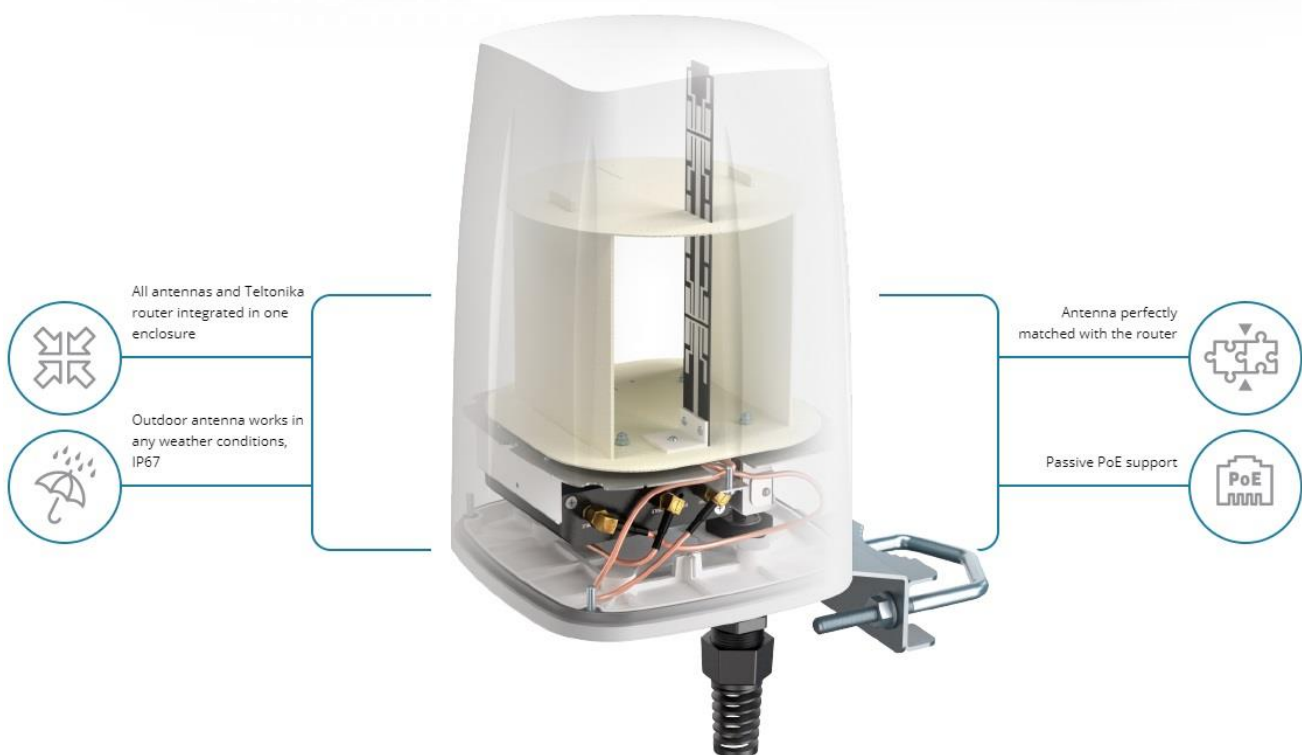


QuSpot for RUT240/230

INTEGRATED MULTI-BAND LTE OMNI ANTENNA + WIFI OMNI ANTENNA + PLACE TO INSTALL TELTONIKA RUT240 OR 230 (ALL-IN-ONE)

QuSpot omni LTE antenna for Teltonika RUT240 or 230 router is a perfect outdoor device for mobile and fixed installations like industrial, CCTV, hotspots, yachts, boats, campers, RV etc. It has embedded also omni Wi-Fi antenna. If you use RUT240 or 230 with QuSpot antenna, you get an integrated complete solution with embedded router and multi band antennas in one enclosure.

NOTE: For RUT230 one LTE antenna is unplugged.



OUTDOOR

Use Teltonika router whenever you want

ANTENNA

Maximize your signal with QuWireless antennas

SOLUTION

Plug Teltonika router and you are good to go

LTE SPECIFICATION

| | |
|--------------|--|
| FREQUENCY | 0.694-0.96 GHz 1.7 - 2.2 GHz 2.2 - 2.7 GHz |
| GAIN | 2 dBi 2 dBi 4 dBi |
| VSWR | <1.70, max <2.00 <1.60, max <2.00 <1.60, max <2.00 |
| BEAMWIDTH | 360°/35° +/- 5° 360°/35° +/- 5° 360°/35° +/- 5° |
| POLARIZATION | Vertical |
| IMPEDANCE | 50 Ω |

WI-FI SPECIFICATION

| | |
|--------------|--------------------------------------|
| FREQUENCY | 2.40-2.50 GHz 4.70 - 6.00 GHz |
| GAIN | 6 dBi 7 dBi |
| VSWR | <1.70, max <2.00 <1.70, max <2.00 |
| BEAMWIDTH | 360°/25° +/- 5° 360°/25° +/- 5° |
| POLARIZATION | Vertical |
| IMPEDANCE | 50 Ω |

MECHANICAL SPECIFICATION

| | |
|-----------------------|---|
| MATERIALS | ABS, aluminum, PTFE |
| INGRESS PROTECTION | IP67 |
| DIMENSIONS | 160 x 160 x 240 mm 6.3 x 6.3 x 9.45 inch |
| WEIGHT | 1.5 kg 3.31 lbs |
| OPERATING TEMPERATURE | From -40°C to 75°C From -40°F to 167°F |

DEVICE SPECIFICATION

DIMENSIONS

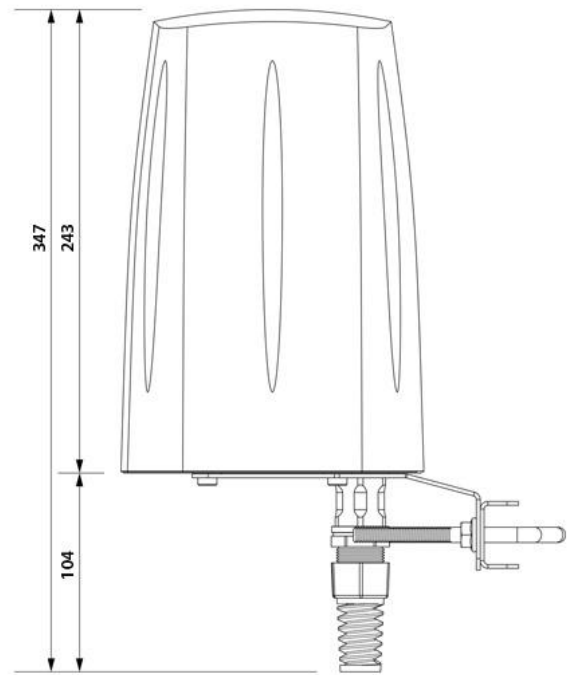


Small and reliable cellular router with 3G & WiFi. Equipped with Ethernet and I/O. RUT230 is perfect for challenging applications within energy, industry, smart city and IoT sectors.

[RUT230 Datasheet](#)

[RUT230 User Manual](#)

[RUT230 Quick Start Guide](#)

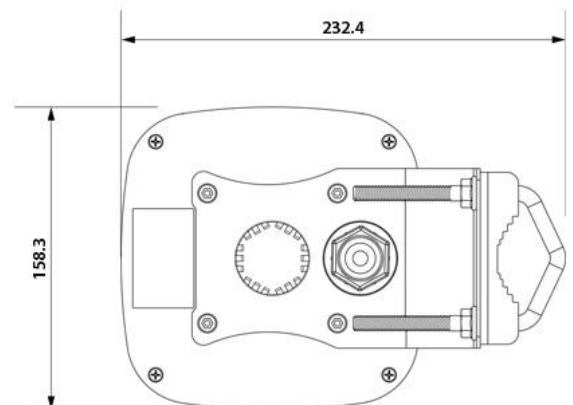


Compact but powerful 4G LTE & WiFi cellular router with Ethernet and I/O. Great for quick deployment in mission critical IoT applications where advanced Networking, VPN and security features are needed.

[RUT240 Datasheet](#)

[RUT240 User Manual](#)

[RUT240 Quick Start Guide](#)



HEADQUARTER:

Wireless Instruments sp. z o.o.

ul. Kościuszki 27

52-116 Iwiny

POLAND

sales@quwireless.com

tel 1. +48 601 366 369

tel 2. +48 577 667 761

www.quwireless.com