

DPPC-Z103

10.1" Fanless Multi-touch IP66/69K Full Waterproof Panel PC with Intel® Apollo Lake Pentium® N4200 Processor

Delmation Products BV
+31 (0)79 342 20 41
info@delmation.nl
www.delmation.nl



Features

- 10.1" WSVGA LCD Panel with Projected Capacitive Touch
- Intel® Pentium® N4200 Processor
- LED, STOP button, on/off button and Keylock switches
- Stainless Steel SUS316, Full IP66/69K Waterproof
- Yoke Mounting

Applications

- Food & Beverage Processing Industrial
- Pharmaceutical and Biopharmaceutical Equipment
- Embedded HMI Display System
- Factory Manufacturing Automation

→ Packing List

Description
1 x DPPC-Z103PW
1 x Driver CD

→ Optional Items

Part No.	Description
APW-60M12V-01	12V, 60W, 5A, 5-pin M12 Connector (US)
APW-60M12V-02	12V, 60W, 5A, 5-pin M12 Connector (EU)
AKT-USB2M12	M12 Connector to USB Cable, 2m
AKT-COM2M12	M12 Connector to DB9 Cable, 2m

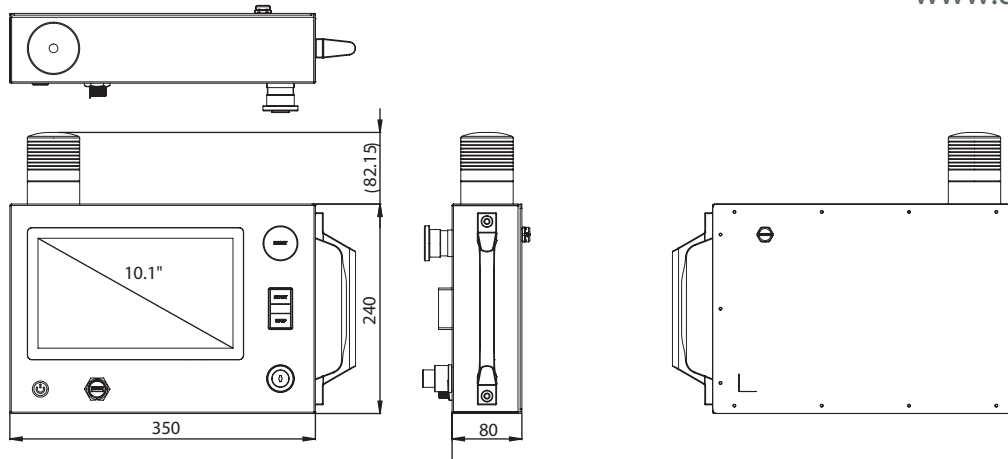
→ Ordering Information

Part No.	Description
DPPC-Z103PW-1A1	10.1" Fanless Projected Capacitive Touch Panel PC, Full IP66 Protection, Intel® Pentium™ N4200 Processor, 1 GbE LAN, 2 USB 2.0, 1 COM, 9~36V DC input

DPPC-Z103

Delmation Products BV
 +31 (0)79 342 20 41
 info@delmation.nl
 www.delmation.nl

→ Dimensions



→ Specifications

Model		DPPC-Z103PW-1A1
Processor System	CPU	Intel® Pentium® N4200
	Frequency	Quad-Core up to 2.5 GHz
	L2 Cache	2 MB
	System Chipset	N/A
Memory	BIOS	UEFI
	Technology	DDR3L 1867 MHz SDRAM
	Max. Capacity	Up to 16GB
Display	Socket	2 SO-DIMM
	Panel Size	10.1" LCD Panel
	Resolution	1024 x 600 (WSVGA)
	Viewing Angle	75 x 80 (H) x 80 x 80 (V)
	Brightness	450 (cd/m2)
	Color Support	16.7M
	Contrast Ratio	800:1
	Response Time	7 (msec)
	VGA	N/A
	Connector Type	N/A
Touchscreen	Dual Display	N/A
	Touchscreen Type	Projected Capacitive
	Surface Hardness	7 Mohs
	Durability	-
I/O Interface	Transparency	90% (±3%)
	USB	2 USB 2.0, M12 Connector; 1 Front IP67 USB port
	Serial Port	1 COM (1 RS-232/422/485), M12 Connector
Ethernet	Expansion	2 Mini PCIe (Full-size)
	Controller	Single GbE, 10/100/1000 Mbps (Intel i211), M12 Connector
Special Function	Button	Stop button & On/off Button, Key Lock Switch
	LED Alarm	LED Tower Warning Bar, 3 Color (Green, Yellow, Red)
Storage	SATA II	1 Internal 2.5" HDD/SSD
Power	Power Supply Voltage	9~36 V DC input
	Power input Connector	M12
	Power Consumption (Typical)	1.53 A @ 12 V (18.4 W)
	Power Consumption (Max.)	1.8 A @ 12 V (21.6 W)
Environment	Battery	Lithium 3 V / 210 mA
	Operating Temperature	-20~60° C (-4~140° F) w/ 2.5" Extended Temperature SSD
	Storage Temperature	-40~85° C (-40~185° F)
	Humidity	5~95% @ 40° C, Non-condensing
	Vibration	5-500 Hz, 0.026 G ² /Hz, 2.16 Grms, X, Y, Z, 1 hour per axis
General	Certification	TBD
	Front Panel Waterproof	Full IP66/IP69K, Stainless steel 316
	Dimensions (L x W x H)	350 x 240 x 80mm (13.78" x 9.45" x 3.15")
	Weight	6.56kg (14.53lb)
Operating System	Windows10 IoT, Linux	