

IP66/69K Protected 17" Stainless Steel Industrial Monitor with P-Cap Touchscreen



## Features

- IP66/69K Protected Stainless Flat Panel Design
- Stainless Steel 316
- 12 ~ 24 V DC power input, M12 Connector
- VGA and USB, M12 Connector
- VESA and Yoke mounting

## Applications

- Food & Beverage Processing Industrial
- Pharmaceutical and Biopharmaceutical Equipment
- Embedded HMI Display System Factory
- Manufacturing Automation
- Chemical, Gas & Oil Critical Environment

## ➔ Packing List

Description
1 x TPM-3617
1 x Driver CD

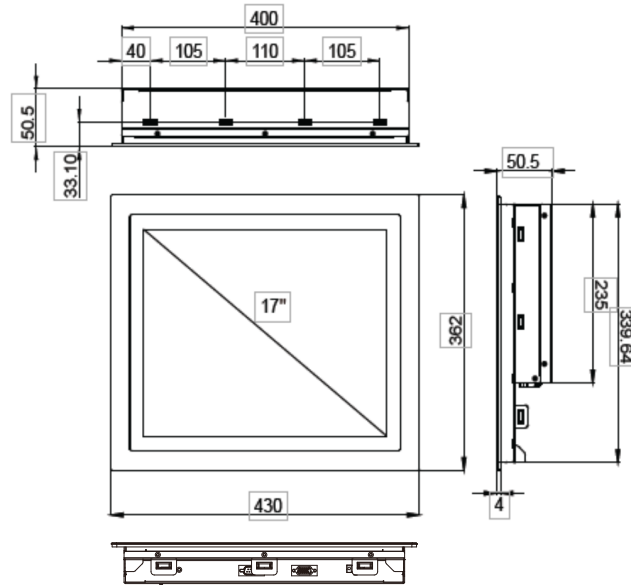
## ➔ Optional Items

Part No.	Description
APW-60M12V-01	12V, 60W, 5A, 5-pin M12 Connector (US)
APW-60M12V-02	12V, 60W, 5A, 5-pin M12 Connector (EU)
AKT-USB2M12	M12 Connector to USB Cable, 2m
AKT-VGA2M12	M12 Connector to DB15 Cable, 2m
ACS-100-STD	VESA Table Stand
ACS-120-STD	Yoke Mount Kits

## ➔ Ordering Information

Part No.	Description
TPM-3617P-A1	17" XSGA, IP66 Stainless Steel Industrial Touch Monitor, Flat Panel, Projected Capacitive Multi-touch Display

## → Dimensions



Cut Out: 402\*335.7 mm

## → Specifications

Model		TPM-3317P	TPM-3317R
Display	Panel Size	17" LCD Panel	
	Resolution	1280 x 1024 (SXGA)	
	Viewing Angle	85 x 85 (H), 80 x 85 (V)	
	Brightness	350 (cd/m <sup>2</sup> )	
	Color Support	16.7 M	
	Contrast Ratio	1000:1	
	Response Time	30 (msec)	
Touchscreen	Type	Projected Capacitive	5-Wire Resistive
	Surface Hardness	7 Mohs	3 Mohs
	Durability	-	10 million touches
	Transparency	90% (±3%)	80% (±3%)
I/O Interface	Video Interface	1 VGA	
	Touch Interface	1 USB	
OSD Control	Function Key	5 Keys: Menu, Up, Down, Auto Adjust, Monitor Power on/off Menu Functions: Brightness, Contrast, Color Adjust, Color Temp, Auto Color, Language	
Power	Power Connector	2-pin Phoenix connector	
	Power Input	12-24 V DC power input, single power source	
	Power Consumption (Typical)	22 W	
Environment	Operating Temperature	-20~60° C (-4~140° F)	
	Storage Temperature	-30~70° C (-22~158° F)	
	Humidity	5~95% @ 40° C, Non-condensing	
	Vibration	5-500 Hz, 0.026 G <sup>2</sup> /Hz, 2.16 Grms, X, Y, Z, 1 hour per axis	
General	Ingress Protection	IP65, stainless steel front cover	
	Dimensions (W x H x D)	411.4 x 337.5 x 50.5 mm (16.19" x 13.28" x 1.99")	
	Weight	6.15 kg (13.6 lb)	
	Operating System	Windows 7/8.1/10, WES7, WE8S, Linux Fedora, Ubuntu	