

DTM-3317

IP65 Protected 17" Stainless Steel Industrial Monitor with P-Cap Touchscreen

Delmation Products BV

+31 (0)79 342 20 41

info@delmation.nl

www.delmation.nl



Features

- IP65 Protected Stainless Flat Panel Design
- High Resolution 1280 x 1024
- 12 ~ 24 V DC power input pluggable terminal block
- Panel and VESA mounting

Applications

- CNC Machines
- Embedded HMI Display System
- Factory / Manufacturing Automation
- Vending / Ticketing Machines

→ Packing List

Description
1 x DTM-3317
1 x Driver CD
1 x USB Cable
1 x VGA Cable
1 x Power Adapter
13x Panel Mounting Screws

→ Optional Items

Part No.	Description
ACS-PS-US	Power Cable 3-pin, 180 cm, USA Type
ACS-PS-EU	Power Cable 3-pin, 180 cm, Euro Type
ACS-PS-CN	Power Cable 3-pin, 180 cm, China Type
ACS-100-STD	VESA Table Stand

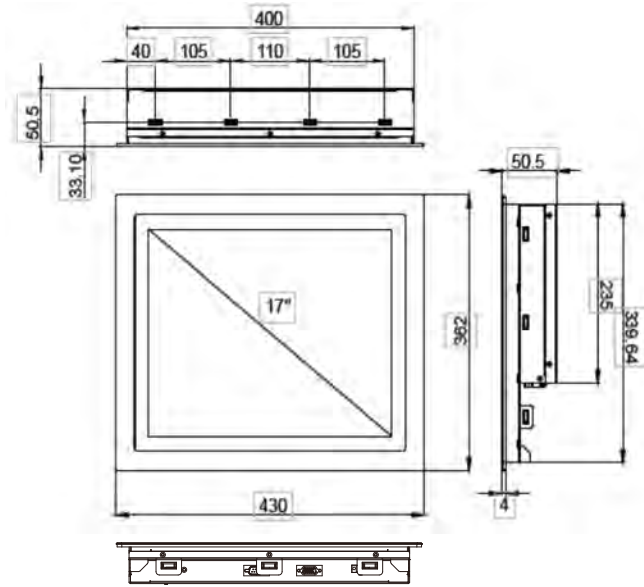
→ Ordering Information

Part No.	Description
DTM-3317P-A1	17" XSGA, IP65 Stainless Flat Panel, Projected Capacitive Multi-touch Display
DTM-3317R-A1	17" XSGA, IP65 Stainless Flat Panel, Resistive Touch Display

DTM-3317

Delmation Products BV
 +31 (0)79 342 20 41
 info@delmation.nl
 www.delmation.nl

→ Dimensions



Cut Out: 402*335.7 mm

→ Specifications

Model		DTM-3317P	DTM-3317R
Display	Panel Size	17" LCD Panel	
	Resolution	1280 x 1024 (SXGA)	
	Viewing Angle	85 x 85 (H), 80 x 85 (V)	
	Brightness	350 (cd/m ²)	
	Color Support	16.7 M	
	Contrast Ratio	1000:1	
	Response Time	30 (msec)	
Touchscreen	Type	Projected Capacitive	5-Wire Resistive
	Surface Hardness	7 Mohs	3 Mohs
	Durability	-	10 million touches
	Transparency	90% (±3%)	80% (±3%)
I/O Interface	Video Interface	1 VGA	
	Touch Interface	1 USB	
OSD Control	Function Key	5 Keys: Menu, Up, Down, Auto Adjust, Monitor Power on/off Menu Functions: Brightness, Contrast, Color Adjust, Color Temp, Auto Color, Language	
Power	Power Connector	2-pin Phoenix connector	
	Power Input	12-24 V DC power input, single power source	
	Power Consumption (Typical)	22 W	
Environment	Operating Temperature	-20~60° C (-4~140° F)	
	Storage Temperature	-30~70° C (-22~158° F)	
	Humidity	5~95% @ 40° C, Non-condensing	
	Vibration	5-500 Hz, 0.026 G ² /Hz, 2.16 Grms, X, Y, Z, 1 hour per axis	
General	Ingress Protection	IP65, stainless steel front cover	
	Dimensions (W x H x D)	411.4 x 337.5 x 50.5 mm (16.19" x 13.28" x 1.99")	
	Weight	6.15 kg (13.6 lb)	
	Operating System	Windows 7/8.1/10, WES7, WE8S, Linux Fedora, Ubuntu	