

GOT3157W-834-PCT

15.6" WXGA TFT Fanless Multi Touch Panel Computer with Intel® Celeron® Processor J1900 (-10°C ~ +50°C)

NEW



- | | |
|--------------------------------------|---------------------------|
| 1. Power switch | 7. USB 3.0 x 2 |
| 2. Terminal block for DC power input | 8. Audio(Line-out) |
| 3. USB 2.0 x 2 | 9. CFast™ slot |
| 4. COM 1 (RS-232/422/485) | 10. Backlight switch |
| 5. COM 2 (RS-232/422/485) | 11. Brightness adjustment |
| 6. Ethernet x 2 | |



Introduction

The GOT3157W is a 15.6" WXGA fanless touch panel computer. By supporting a wide temperature range from -10°C ~ +50°C, it can be used in any harsh environment. The unit adopts 15.6" WXGA TFT-LCD and low power consumption Intel® Celeron® processor. With the growing demand of wireless application, it provides one Mini card slot for wireless network connection. By just plugging in the Mini card WLAN card, customers have instant access wireless LAN. This model is suitable for many applications including transportation, train, control platform of ships, heavy industry, and oil pipe monitoring systems.

Wide-temperature (-10°C ~ +50°C) supported

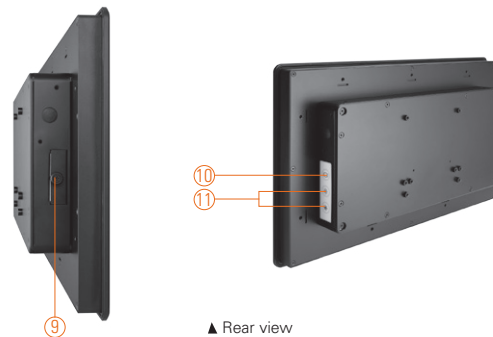
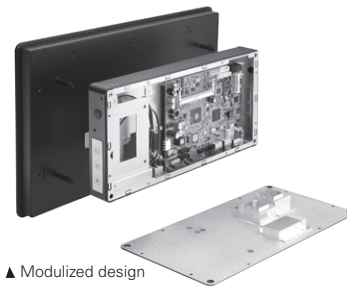
The 15.6-inch industrial panel PC GOT3157W adopts unique extended temperature technology, with a temperature range from -10°C ~ +50°C, with fanless cooling system and compact design for harsh environment.

WLAN antenna supported (optional)

The GOT3157W provides a Mini card slot and WLAN antenna for wireless network connections. By simply plugging in the wireless LAN card, customers can use the unit in a wireless environment.

Features

- 15.6" WXGA TFT with projected capacitive multi-touch
- Fanless design with Intel® Celeron® processor J1900 4C@2.0GHz (Bay Trail)
- Supports 2.5" SATA HDD & CFast™ or mSATA
- Supports WLAN/3G module & antenna (optional)
- Supports 2 Gigabit LAN, 2 USB 2.0, 2 USB 3.0 and 2 COM ports
- IP65 front bezel
- Supports panel mount and optional VESA arm/desktop stand/wall mount
- Supports wide temperature range of -10°C ~ +50°C
- Adjust RS-232/422/485 setting via BIOS



Specifications

Front Bezel	IP65 front bezel		
LCD Panel	Display Type	15.6" WXGA TFF LCD	
	Brightness (cd/m ²)	300 nits	
	Resolution	1366 x 768	
Main System	CPU	Intel® Bay Trail-D Celeron® Processor J1900 4C@2.0GHz	
	Chipset	Onboard	
	System Memory	1 x 204-pin DDR3L 1333 and 1600 MHz SO-DIMM up to 8 GB	
	BIOS	AMI UEFI BIOS	
	Storage	1 x 2.5" SATA HDD	
		1 x CFast™ or 1 x mSATA	
	Watchdog Timer	255 levels, 0-255 sec.	
	Onboard Graphics	Integrated Intel® GFX	

Specifications

I/O Connector	2 x RS-232/422/485 (COM 1/2) 1 x Switch for power on/off (ATX) 1 x Audio (Line-out) 2 x USB 3.0, 2 x USB 2.0 2 x 10/100/1000Mbps Ethernet
Expansion Interface	2 x PCIe Mini Card slots
Touchscreen	Projected Capacitive multi-touch
Power Supply	1. DC version : 9-36VDC 2. AC version : 12VDC w/adapter
Dimensions	396 mm (15.6") (W) x 53.9 mm (2.12") (D) x 247.1 mm (9.73") (H)
Packing Dimensions	525 mm (20.67") x 470 mm (18.51") x 186 mm (7.32")
Weight (net/gross)	5.0 kg (11.02 lb)/7.0 kg (15.43 lb)
Environment	Operating temperature: -10°C ~ +50°C (+14°F ~ +122°F) Storage Temperature: -20°C ~ +60°C (-4°F ~ +140°F) Relative humidity: 20% ~ 90% @ 40°C; non-condensing Operation vibration: 2 G, 10 ~ 500Hz, random for CompactFlash™
Certificate	CE

* W.T.: Wide Temperature. All W.T. supported products have to be sorted by Axiomtek.

Ordering Information

GOT3157W-834-PCT-DC	15.6" WXGA TFT fanless multi touch panel computer with Intel® Celeron® J1900 and PCT touch, DC version (-10°C ~ +50°C)
GOT3157W-834-PCT-J	15.6" WXGA TFT fanless multi touch panel computer with Intel® Celeron® J1900 and PCT touch, AC version (-10°C ~ +50°C)

Optional EOS Installation

WES7

WE8S

Optional OS Installation

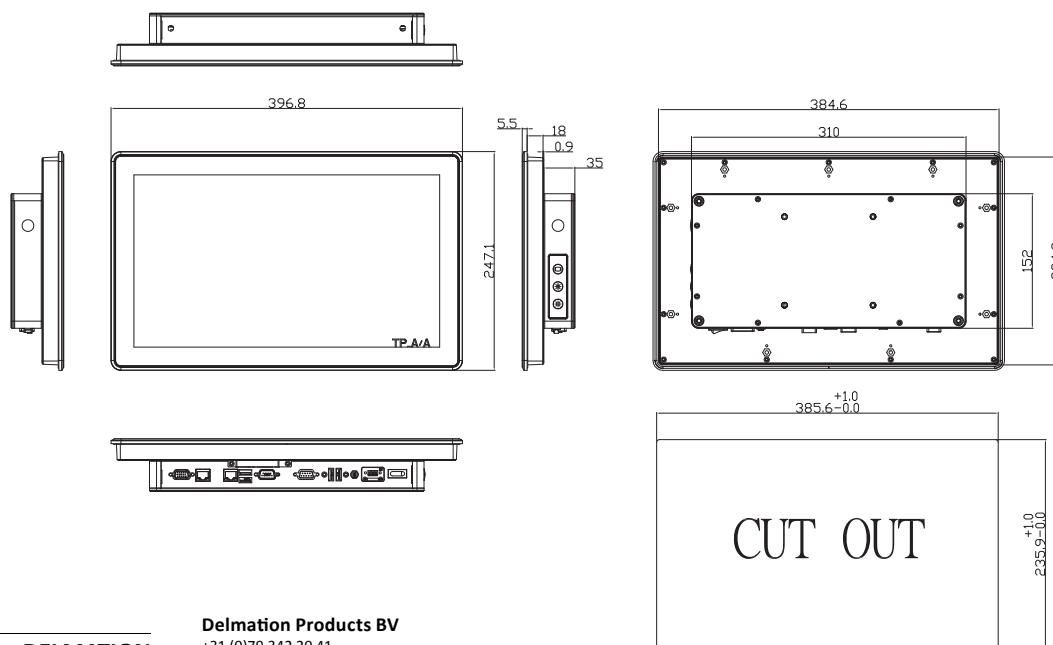
Windows® 8

Windows® 7



▲ Ideal for factory automation & self-service kiosk in retail

Dimensions



Delmation Products BV
+31 (0)79 342 20 41
info@delmation.nl
www.delmation.nl

