

Four Port Industrial USB Hub

UH104



PRODUCT FEATURES

- High Retention USB Connectors
- 15 kV ESD Protection
- Rugged Panel Mount Case
- Wide Operating Temperature (-40 to 80°C)
- USB 2.0 – High Speed (480 Mbps)

USB Connectivity Where You Need It

The UH104 is a compact, Industrial Grade Four Port USB 2.0 Hub. It has High Retention USB connectors that work with standard USB cables to ensure a tight connection in high vibration applications – requiring up to 3.4 lbs-force to disconnect them. It provides true USB 2.0 data transmission through each port, even during heavy load applications. The UH104 is a plug-and-play device, meaning that there are no additional drivers to load.

Bus Power

The hub is powered entirely by your high power USB port, leaving your installation uncluttered by power cabling. As a bus powered device, it provides 100 mA of power to downstream peripherals. This is adequate for most applications.

Mount it Anywhere

The compact polycarbonate plastic enclosure comes equipped with mounting brackets that you can use to secure it to a panel, counter top, or other flat surface. A standard USB cable is required to connect it to your PC.

Industrial Specifications

Industrial EMC specifications make this hub more robust than other office grade products. See the chart to the right to view the complete list of CE and FCC certifications.

ORDERING INFORMATION

MODEL NUMBER	DESCRIPTION
UH104	4 Port Industrial USB Hub

ACCESSORIES

USBAMB-3F - 3 ft. (0.9 m) USB Extension Cable

Delmation Products BV
T +31 (0)79 342 2041
info@delmation.nl
www.delmation.nl

Four Port Industrial USB Hub

UH104

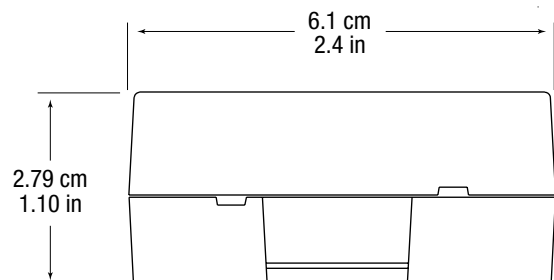
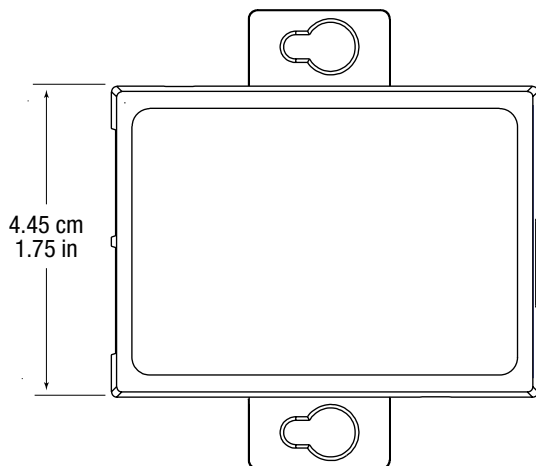


SPECIFICATIONS

USB INTERFACE	
Standards	USB 2.0
Upstream Port	(1) Type B Female – High Retention
Downstream Port	(4) Type A Female – High Retention
Speed	480 Mbps on each port Multi-transaction Translator, 1 per port
ESD	15 kV Air, 8 kV Contact
High Retention	USB Ports require 15 N (3.4 lbs-force) withdrawal force using standard USB Cable
POWER	
Source	5 VDC from USB Bus
Downstream Power	100 mA per port
MECHANICAL	
Dimensions	6.1 x 4.45 x 2.79 cm (2.4 x 1.75 x 1.10 in)
Enclosure	IP 30, Polycarbonate Plastic
Weight	0.11 lbs (49.90 g)
MTBF	552,747 Hours
MTBF Calc. Method	MIL 217F Parts Count Reliability
ENVIRONMENTAL	
Operating Temperature	-40 to 80°C (-40 to 176°F)
Storage Temperature	-40 to 85°C
Operating Humidity	0 to 95% Non-condensing

APPROVALS / CERTIFICATIONS		
CE		
EN61000-6-1	(Light Industrial)	
EN61000-4-2	(ESD)	+/- 8kV contact, +/-15 kV air
EN61000-4-3	(RI)	3 V/m
EN61000-4-4	(EFT Burst)	+/- 1 kV DC ports +/- 0.5 kV signal ports
EN61000-4-5	(Surge)	+/- 0.5 kV Power
EN61000-4-6	(CI)	3 V/m
OTHER		
IEC60068-2-32	(Drop)	10 total drops from sides, corner, edges
Emissions	FCC Class B, CISPR Class B (EN55022)	

MECHANICAL DIAGRAM



Delmation Products BV
T +31 (0)79 342 2041
info@delmation.nl
www.delmation.nl