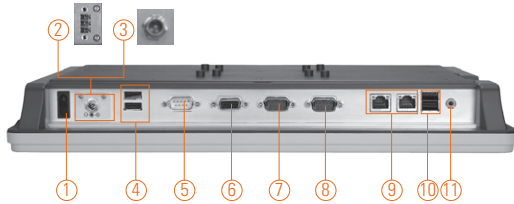


GOT5152T-834

15" XGA TFT Fanless Touch Panel Computer with Intel® Celeron® Processor J1900



- | | |
|--|---------------------------|
| 1. Power switch (ATX) | 6. VGA |
| 2. Terminal block for DC power input or 3. Screw conn. w/ AC power adapter | 7. COM 1 (RS-232/422/485) |
| 4. USB 2.0 x 2 | 8. COM 2 (RS-232/422/485) |
| 5. COM 3 (RS-232/422/485) | 9. Ethernet x 2 |
| | 10. USB 3.0 x 2 |
| | 11. Audio (Line-out) |



Introduction

Axiomtek's new GOT5152-834 offers the latest fanless technology using Intel®'s J1900 4C @ 2.0/2.42 (Burst) GHz CPU. Running Windows or Linux, this system provides great performance for many commercial and industrial applications. This slim design incorporates a 15" 400 nits LCD display providing a bright XGA (1024 x 768) touch screen. Wireless communications is supported with a built-in antenna within the bezel, ready for your choice of optional PCIe Mini card. There are two choices for powering the unit, Class B that includes an external AC to DC power brick with screw-on power connector, or Class A with no power brick, providing a Phoenix style DC connector (9VDC – 36VDC). Using an all industrial-grade IP-65 rated design, weighing 7 to 11lbs (depending on configuration), this computer provides an attractive cost, low power, high performance, reliable quality, slim size and low weight, all new for more demanding applications.

Super slim & ultra light design

The GOT5152T-834 is a super slim touch panel computer for space-limited environment with its thickness of 54.6mm and weight of 3.2 kg only, which make it installed everywhere.

Built-in internal WLAN antenna

The GOT5152T-834 provides 2 PCIe Mini Card slots and a built-in WLAN antenna for wireless network connections. By simply plugging in the wireless LAN cards, customers can use the GOT5152T-834 in a wireless LAN/GPRS/ GSM/3G environments.

Excellent thermal solution: aluminum back chassis

With Axiomtek's patent for plastic plus aluminum mechanism design, the GOT5152T-834 can dissipate the heat easily and keep the system operation stable.

Features

- 15" XGA (1024 x 768) color TFT LCD display with LED backlight
- Fanless cooling system with Intel® Celeron® Processor J1900 4C @ 2.0/2.42 (Burst) GHz CPU
- Ultra slim design: thickness 54.6 mm
- Super light weight: 3.2 kg
- Easy for expansion: PCIe Mini Card slots
- Supports panel mount and optional wall mount/VESA arm mount/desktop stand (optional)
- Supports RFID (optional)
- Over-current protection fuse



▲ Side view



▲ CFast™ slot with protective cover

Specifications

Front Bezel	IP65, NEMA 4 rugged protection, plastic front bezel		
LCD Panel	Display Type	15" XGA TFT LCD with LED backlight	
	Brightness (cd/m ²)	400 nits	
	Resolution	1024 x 768	
	Viewing Angel (H/V)	160°/140°	
Main System	CPU	Intel® Celeron® Processor J1900 4C @2.0GHz	
	System Memory	1 x 204-pin DDR3L SO-DIMM max. up to 8 GB	
	BIOS	AMI UEFI BIOS	
	Storage	1 x 2.5" SATA HDD	
		1 x CFas™ or mSATA	
	Watchdog Timer	255 levels, 0-255 sec.	
	Onboard Graphics	Integrated in Intel® GFX	

Delmation Products BV
T +31 (0)79 342 2041
info@delmation.nl
www.delmation.nl

Specifications

I/O Connector	3 x RS-232/422/485 1 x VGA 1 x Audio (Line-out) 2x USB 2.0 2x USB 3.0 2 x 10/100/1000Mbps Ethernet (w/Intel® i210IT)
Expansion Interface	1 x Full-Size Mini PCI Express Mini Card with mSATA supported 1 x Full-Size Mini PCI Express Mini Card with SIM Slot
Touchscreen	Resistive type
Power Input	1. DC version: 9-36VDC with fuse over-current protection fuse 2. AC version: 100-240V AC-DC 60W power adapter
Dimensions	387.9 mm (15.27") (W) x 54.6 mm (2.14") (D) x 307.7 mm (12.11") (H)
Packing Dimensions	510 mm (20.08") (W) x 105 mm (4.13") (D) x 385 mm (15.16") (H)
Weight (net/gross)	3.2 kg (7.05 lb)/5.1 kg (11.24 lb)
Environment	Operating temperature: 0° ~ +50°C (+32°F ~ +122°F) (with W.T. DRAM/HDD in airflow condition) 0° ~ +45°C (+32°F ~ +113°F) (with W.T. DRAM/HDD) Storage Temperature: -30°C ~ +80°C (-22°F ~ +176°F) Relative humidity: 10% ~ 95% @ 40°C; non-condensing Operation vibration: 2G, 5 ~ 500Hz, random for CFas™
Certification	CE-EMC class A (GOT5152T-834) CE-EMC class B (GOT5152T-834-J)

* Specification and certifications are based on options and may vary.

** W.T.: Wide Temperature. All W.T. supported products have to be sorted by Axiomtek.

Ordering Information

GOT5152T-834	15" XGA Intel® Celeron® Processor J1900 4C fanless touch panel computer with terminal block connector
GOT5152T-834-J	15" XGA Intel® Celeron® Processor J1900 4C fanless touch panel computer with screw type connector & AC-DC 60W power adapter, EMI class B
E225840102	Desktop stand

* Specification and certifications are based on options and may vary.

Optional EOS Installation

WES 7

WE8S

Optional OS Installation

Windows® 7

Windows® 8

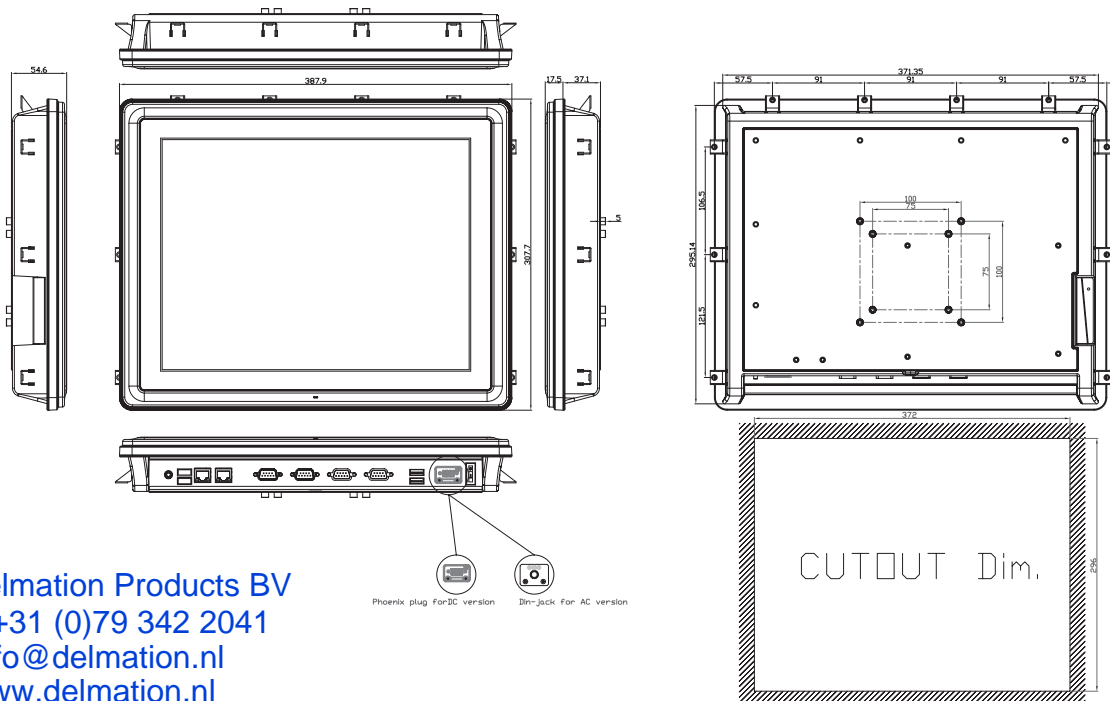


▲ Desktop stand



▲ AC power adapter (GOT5152T-834-J)

Dimensions



Delmation Products BV
T +31 (0)79 342 2041
info@delmation.nl
www.delmation.nl

Phoenix plug For DC version Dim-Jack For AC version